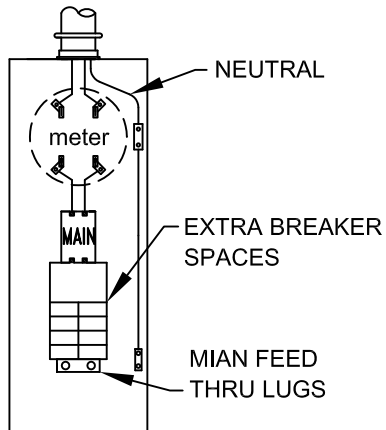
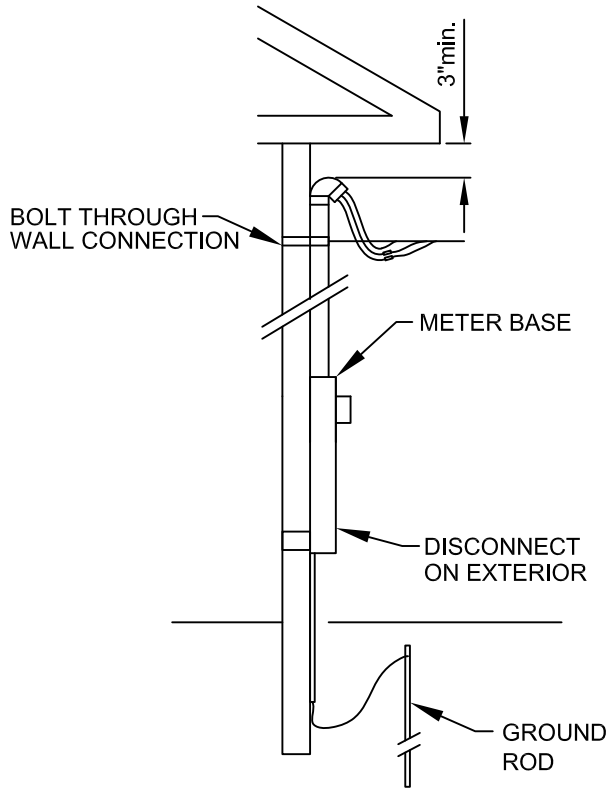


# Norris Electric Cooperative

## Single Phase, 120/240v, 100 & 200 AMP Overhead Meter Installations on Structure without Riser

Consult with cooperative before mounting overhead meter loop to side of building.

THIS TYPE OF INSTALLATION IS ONLY ALLOWED ON A TWO STORY HOUSE OR PEAK OF ROOF



PREFERRED METER BASE/MAIN BREAKER COMBINATION BOX

\* The neutral should not be automatically reduced two sizes. If there are no 240-volt loads, the neutral must be the same size as the ungrounded conductors. Under the most severe conditions of unbalance, the neutral will carry the same current as the ungrounded conductors.

Three feet of conductor must extend out of weather head for connection to the service drop conductors. The neutral shall be identified.

The Cooperative's triplex must maintain a minimum of 16' of clearance from the ground at all locations.

Only 2" rigid conduit (aluminum or steel), intermediate metallic conduit, or PVC conduit may be used.

Member supplied ground rod shall be 5/8" x 8' copper clad and clamp shall be installed 12" below ground and 24" away from foundation.

Ground wire shall be #6 bare copper in 1/2" conduit.

Meter installation on side of building shall be completely assembled and securely attached to building by member.

Boxes to be bonded with green screw. (The neutral & ground are bonded at the meter loop)

Member's service conductors are to be connected to bottom lugs of meter base.

Metering location shall be located on the side of the structure closest to the transformer.

Disconnect to be on exterior of building only.

Bolted porcelain insulator must be mounted to building to attach cooperative triplex.

No overhead mast service will be allowed on a mobile or modular home.

Center of meter base to be mounted 66" above finish grade.

On all aluminum connections, use corrosion inhibitors.

WIRE SIZE CHART	CONDUCTOR		NEUTRAL	
	COPPER	ALUMINUM	COPPER	ALUMINUM
100 AMP	#2	1/0	#4	#2
200 AMP	3/0	4/0	1/0	2/0