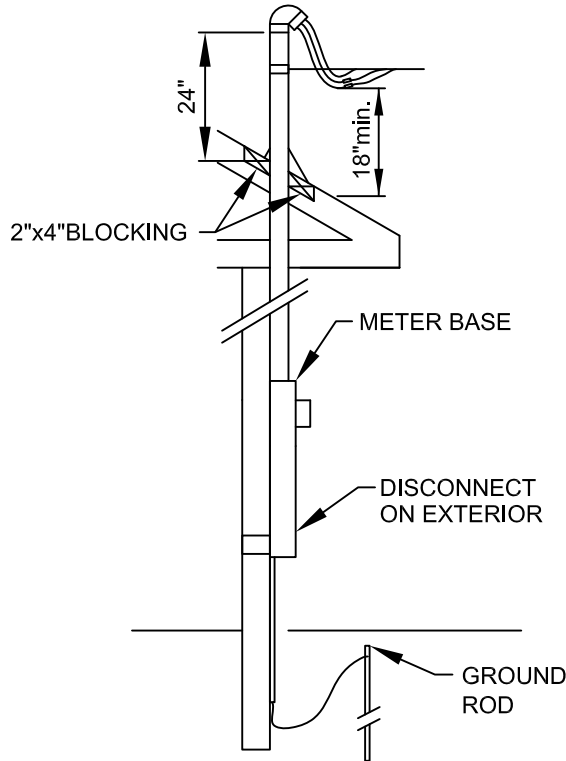


Norris Electric Cooperative

Single Phase, 120/240v, 100 & 200 AMP Overhead Meter Installations on Structure with Riser

Consult with cooperative before mounting overhead meter loop to side of building.



* The neutral should not be automatically reduced two sizes. If there are no 240-volt loads, the neutral must be the same size as the ungrounded conductors. Under the most severe conditions of unbalance, the neutral will carry the same current as the ungrounded conductors.

Three feet of conductor must extend out of weather head for connection to the service drop conductors. The neutral shall be identified.

A guy must be used to support the conduit if the pipe mounted wire holder is more than 24" above the roofing.

The Cooperative's triplex must maintain a minimum of 16' of clearance from the ground at all locations.

2" X 4" blocking between or across rafters shall be solidly installed.

2" rigid galvanized conduit shall be used for riser.

Member supplied ground rod shall be 5/8" x 8' copper clad and clamp shall be installed 12" below ground and 24" away from foundation.

Ground wire shall be #6 bare copper in 1/2" conduit.

Meter installation on side of building shall be completely assembled and securely attached to building by member.

Boxes to be bonded with green screw. (The neutral & ground are bonded at the meter loop)

Member's service conductors are to be connected to bottom lugs of meter base.

Metering location shall be located on the side of the structure closest to the transformer.

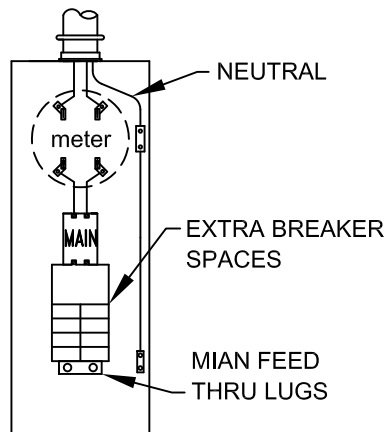
Disconnect to be on exterior of building only.

Clamp and porcelain insulator shall be provided to attach cooperative triplex.

No overhead mast service will be allowed on a mobile or modular home.

Center of meter base to be mounted 66" above finish grade.

On all aluminum connections, use corrosion inhibitors.



PREFERRED METER BASE/MAIN
BREAKER COMBINATION BOX

WIRE SIZE CHART	CONDUCTOR		NEUTRAL	
	COPPER	ALUMINUM	COPPER	ALUMINUM
100 AMP	#2	1/0	#4	#2
200 AMP	3/0	4/0	1/0	2/0