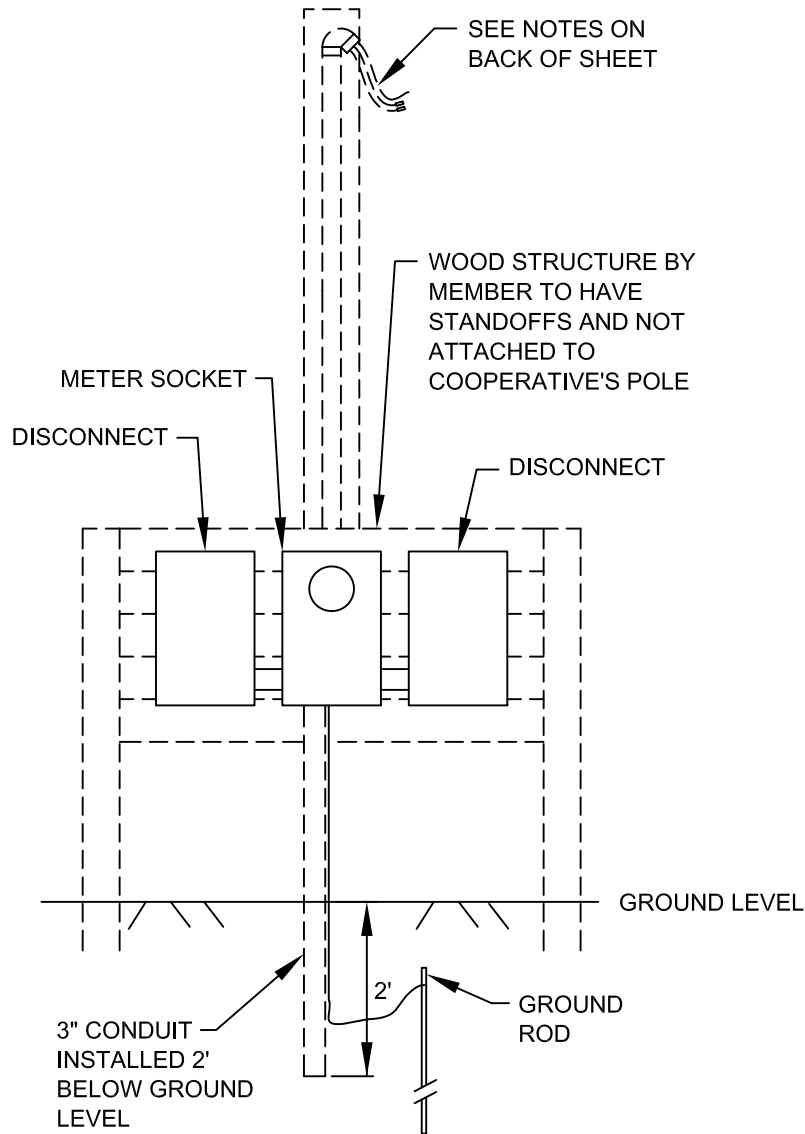


Norris Electric Cooperative

Single Phase, 120/240v, 400 AMP Grade Level Meter Installations



All Norris Electric Cooperative's 400 AMP single phase services require meter sockets to accommodate a form 2SE class 320 meter. Meter Sockets must include a lever BYPASS for clamping action on the meter spades and bypass device.

METER BASE DETAILS

Option #1

Milbank class 320 meter socket Model U5059-X-2/200 or equivalent. Specify line side connector kit number K1350L for twin 350 kcmil connectors. Designed for overhead or underground applications. Includes (2) integrated 200 amp breakers directly below the meter socket. This box can be attached to a pole without additional posts and framing for breakers.

Option #2

Milbank class 320 meter socket Model U5740-X-()-CAPL or equivalent. Specify line side connector kit number K1350L for twin 350 kcmil connectors. Designed for overhead or underground applications. (Meter Socket only) Dual 200 amp breaker boxes or a single 400 amp breaker box can be installed directly past this meter box. Refer to manufacturers catalog for connection options on line and load side of meter socket to accommodate desired breaker box configuration. Additional posts and framing will be required to accommodate this meter/breaker configuration on a pole.

Option #3

RONK class 320 meter socket Model 7410MS METER-RITE Double-throw Switches with Meter Socket. Specify twin line side connector kit to accommodate parallel connectors unless otherwise specified. Designed for overhead or underground applications. Integrated transfer switch can be used as a disconnecting means and auxiliary generator connection directly below the meter socket. This box can be attached to a pole without additional posts and framing for breakers.

SEE ADDITIONAL NOTES ON BACK OF SHEET.

Norris Electric Cooperative

Single Phase, 120/240v, 400 AMP Grade Level Meter Installations

Additional Notes

Meter socket to be mounted 66" from ground to center of socket.

Member provides all equipment.

Parallel Lugs are required on the line side of the meter socket when Norris Electric is connecting underground power to the service.

When cooperative is installing U/G to meter base, (1) 3" conduit shall be installed from bottom of meter base to 2' below ground level.

Main bonding jumper to be 1/0 copper.

Norris Electric Cooperative can either supply service overhead to a Cooperative owned pole or members building or supply service underground to a member owned wood structure.

If overhead lines are installed to the service, it is the member's responsibility to supply & assemble the 15' of conduit up the pole with 2 sets of 3/0 copper wire, or 2 sets of 4/0 aluminum wire, or 1 set of 500 kcmil copper wire. If a single conductor is used the line side meter socket connections will need to be adjusted to accommodate this single larger conductor. Verify with the meter box manufacturer on the bending radius of the larger conductor.

If the loop is mounted to a transformer pole a minimum of 10' of conductor must extend out of the weatherhead. If the overhead loop is mounted on a building a minimum of 3' of conductor must extend out of the weatherhead.

*The neutral should not be automatically reduced two sizes. If there are no 240-volt loads, the neutral must be the same size as the ungrounded conductors. Under the most severe conditions of unbalance, the neutral will carry the same current as the ungrounded conductors.